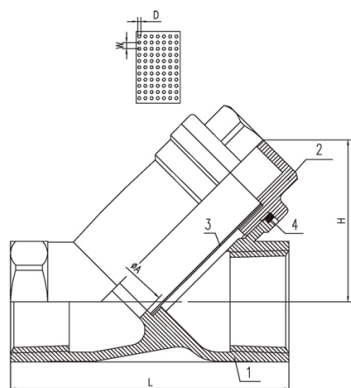


# Y strainer

ITEM	PARTS	MATERIAL
1	BODY	CF8/CF8M
2	CAP	CF8/CF8M
3	SCREEN	AISI316
4	JOINTGASKET	PTFE



## Vuilverganger / Y-strainer

	A	L	D	W	H
Vuilverganger Y-model 1/4"	10	65	1	2	39
Vuilverganger Y-model 3/8"	12	65	1	2	39
Vuilverganger Y-model 1/2"	15	65	1	2	39
Vuilverganger Y-model 3/4"	20	80	1	2	45
Vuilverganger Y-model 1"	25	90	1	2	52
Vuilverganger Y-model 1.1/4"	32	105	1	2	58
Vuilverganger Y-model 1.1/2"	40	120	1	2	72
Vuilverganger Y-model 2"	50	140	1	2	80
Vuilverganger Y-model 2.1/2"	65	180	1	2	96,5
Vuilverganger Y-model 3"	78	200	1	2	118
Vuilverganger Y-model 4"	100	240	1	2	155